

Series 36 - Signaling

Series 36 Signaling Transformers are designed to operate a wide variety of low voltage devices including complete signaling systems, AC horns and bells, and low voltage relays and controls. All 36 Series are supplied with a spacious wiring compartment and double knockouts for ease of installation.

Other low voltage transformers may be found in the 33 Series and in the General Purpose Type M, Type Y and Type LM Series.

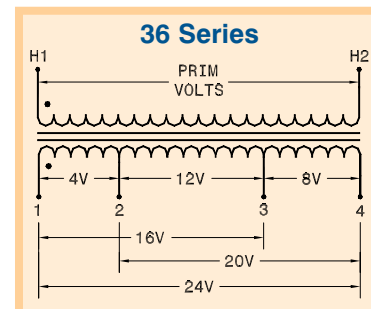
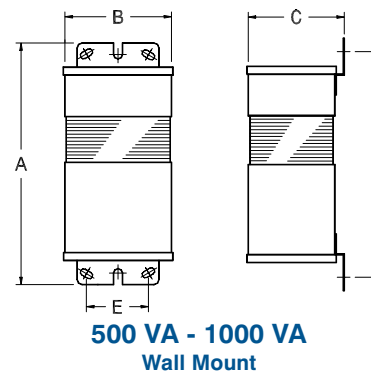
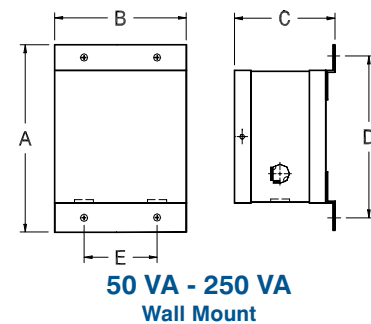
Features

- **UL Listed, File E3210.**
- **CSA Certified, LR 560.**
- NEMA 1 indoor enclosure.
- VA Capacity range from 50 VA to 1000 VA.
- Available primary voltages include 120, 240, and 480.
- 60 Hertz.
- Multiple secondary voltages of 4-8-12-16-20-24.
- Primary and secondary leads are partitioned in separate wiring compartments.
- Consult factory for desired voltage combinations and VA sizes not listed.

General Information			Capacity		Dimensions (inches)				
kVA Cap.*	Catalog Number	Wgt. Lbs	Maximum Amps		Height A	Width B	Depth C	Mounting	
			Pri.	Sec.				D	E
<i>Primary Volts 120, Secondary Volts 4-8-12-16-20-24, 60 Hz</i>									
.050	36-05-A	4	.41	2.08	6.31	3.63	3.37	5.56	2.50
.100	36-10-A	6	.83	4.16	7.12	4.06	3.50	6.44	2.50
.250	36-25-A	9	2.08	10.4	8.00	5.00	4.13	7.25	2.50
.500	36-50-A	16	4.16	20.8	11.50	5.88	4.88	10.50	3.81
.750	36-75-A	21	6.25	31.2	12.38	5.88	4.88	11.25	3.81
1.0	36-100-A	29	8.33	41.6	13.63	5.88	4.88	12.50	3.81
<i>Primary Volts 240, Secondary Volts 4-8-12-16-20-24, 60 Hz</i>									
.050	36-05-C	4	.20	2.08	6.31	3.63	3.37	5.56	2.50
.100	36-10-C	6	.41	4.16	7.12	4.06	3.50	6.44	2.50
.250	36-25-C	9	1.0	10.4	8.00	5.00	4.13	7.25	2.50
.500	36-50-C	16	2.08	20.8	11.50	5.88	4.88	10.50	3.81
.750	36-75-C	21	3.13	31.2	12.38	5.88	4.88	11.25	3.81
1.0	36-100-C	29	4.16	41.6	13.63	5.88	4.88	12.50	3.81
<i>Primary Volts 480, Secondary Volts 4-8-12-16-20-24, 60 Hz</i>									
.050	36-05-N	4	.10	2.08	6.31	3.63	3.37	5.56	2.50
.100	36-10-N	6	.20	4.16	7.12	4.06	3.50	6.44	2.50

*VA capacity at 24 volt secondary tap only. To determine VA capacity at other secondary taps, multiply voltage of tap being used by maximum secondary current. Example: Using 8 volt tap on 36-10-A, VA capacity would be 8 (volts) x 4.16 (amps) = 33.6 VA.

Shaded catalog numbers on this page indicate transformers **not** carried in factory stock. Consult factory or your Dongan Representative for price and delivery.



Dimensions & weights may change.
Consult factory for certified drawings.