

## Series TDE

Transformer VA Capacity	Dongan Catalog No.	Pri. Max Amps 380 V*	Sec. Max Amps	Sec. Fuse Size F3	Max Lighting Amps	Max Duplex Amps	Sec. Fuse Size F4	Approx. Weight Lbs.
250	<b>TDE-130</b>	.66	2.08	2.25	2.08	--	--	31
500	<b>TDE-170</b>	1.32	4.17	4.5	4.17	--	--	35
750	<b>TDE-190</b>	1.97	6.25	6.25	6.25	--	--	45
1000	<b>TDE-200</b>	2.63	8.33	9.0	8.33	--	--	49
1500	<b>TDE-210</b>	3.95	12.50	15.0	12.50	--	--	55
2000	<b>TDE-230</b>	5.26	16.67	20.0	16.67	--	--	69
3000	<b>TDE-250</b>	7.90	25.00	25.0	25.00	--	--	86

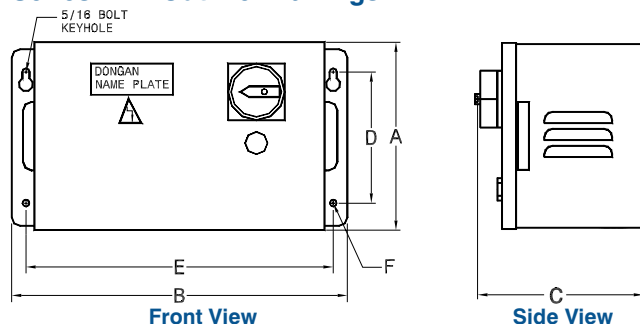
\* Primary max amps for other voltages may be obtained by dividing VA capacity by line voltage.

## Features

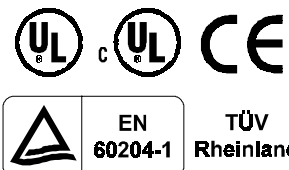
- NEMA 1 / IP 23 enclosure.
- Primary Voltage: 380/400/416/440/460/480/575 VAC.
- Secondary Voltage: 110/115/120 VAC.
- 50 / 60 Hz.
- One side of secondary grounded.
- Transformer is copper wound with electrostatic shield (earth metal screen).
- Finger-safe terminals.
- 3 position, padlockable cam switch.
- Overcurrent protection provided: Primary - Class CC Fuse holders only. Secondary - Supplementary fuses (13/32" x 1 1/2").
- Duplex receptacle available as an added cost option on all sizes.
- Green "ON" pilot light provided.
- Dedicated physical earth terminal.
- Bonded door ground stud.
- Options: Other voltage combinations available.

Dimensions						
VA	A	B	C	D	E	F
250 - 2000	9.00	14.75	9.13	5.75	13.75	.340
3000	10.75	14.75	9.13	5.75	13.75	.340

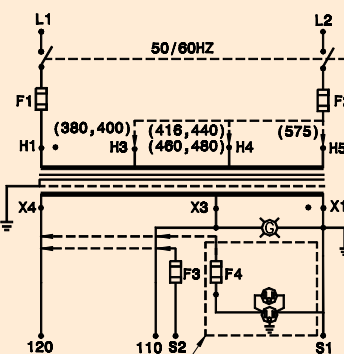
### Series TDE Outline Drawings



### Agency Compliance



### Series TDE Schematic Drawing



Optional Receptacle Available

# Transformer Lighting Disconnect

## Series TDE12

Transformer VA Capacity	Dongan Catalog No.	Pri. Max Amps 380 V*	Sec. Max Amps	Sec. Fuse Size F3	Max Lighting Amps	Max Receptacle Amps	Sec. Fuse Size F4	Approx. Weight Lbs.
250	<b>TDE12-130</b>	.66	2.08	2.25	2.08	--	--	33
500	<b>TDE12-170</b>	1.32	4.17	4.5	4.17	--	--	37
750	<b>TDE12-190</b>	1.97	6.25	6.25	6.25	--	--	47
1000	<b>TDE12-200</b>	2.63	8.33	9.0	8.33	--	--	51
1500	<b>TDE12-210</b>	3.95	12.50	15.0	12.50	--	--	57
2000	<b>TDE12-230</b>	5.26	16.67	20.0	16.67	--	--	71
3000	<b>TDE12-250</b>	7.90	25.00	25.0	25.00	--	--	100

\* Primary max amps for other voltages may be obtained by dividing VA capacity by line voltage.

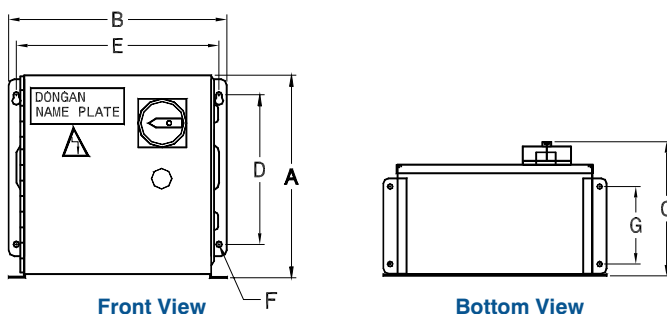
## Features

- NEMA 12 / IP 54 enclosure.
- Primary Voltage: 380/400/416/440/460/480/575 VAC.
- Secondary Voltage: 110/115/120 VAC.
- 50 / 60 Hz.
- One side of secondary grounded.
- Transformer is copper wound with electrostatic shield (earth metal screen).
- Finger-safe terminals.
- 3 position, padlockable cam switch.
- Overcurrent protection provided:
  - Primary - Class CC Fuse holders only.
  - Secondary - Supplementary fuses (13/32" x 1 1/2").
- Gasketed receptacle available as an added cost option on all sizes.
- Green "ON" pilot light provided.
- Dedicated physical earth terminal.
- Bonded door ground stud.
- Options: Other voltage combinations available.

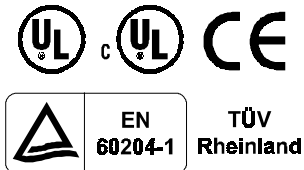
### Dimensions

VA	A	B	C	D	E	F	G
250 - 2000	12.75	14.00	9.38	9.38	13.00	.340	4.63
3000	15.19	18.00	11.38	11.50	17.00	.410	7.50

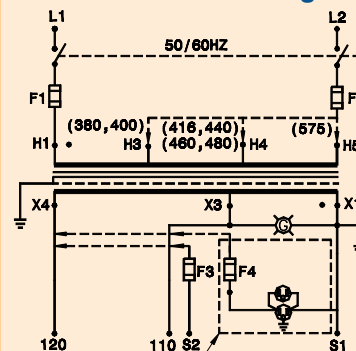
### Series TDE12 Outline Drawings



### Agency Compliance



### Series TDE12 Schematic Drawing



Optional Receptacle Available